

**SILENTAIRE**

TECHNOLOGY

# Scorpion I-C

**FS-MA 1000C**



**General User  
and  
Maintenance  
Instructions**

Thank you and congratulations on the purchase of your **SCORPION** compressor. The **SCORPION** is built to the highest quality standards which produce excellent efficiency. If you use it properly and maintain it according to this manual, it will perform to your fullest satisfaction form many years to come. Please read this manual, carefully and follow the instructions, it will guarantee you a troublefree operation.

## **A. Installation**

1. After taking your **SCORPION** compressor out of its packaging, please check it carefully for any damages due to shipping.
2. Install the compressor on a flat surface in a suitably sized, dry room with good ventilation, where the temperature is not likely to rise above 94 Degrees Farenheit (35 Centigrades).
3. Dispose of the packing material in compliance with the regulations in the country or state where the compressor is installed.

## **B. Safety**

1. Do Not use the OILLESS compressor for purposes other than those for which it has been designed.
2. Do Not modify or repair the compressor while it is connected to the electric current.
3. Note: The electric outlet has to be properly installed and grounded!



This "bolt of lightning" indicates uninstalled material within your unit may cause an electrical shock. For the safety of everyone please do not remove product covering.



The "exclamation point" calls attention to features for which you should read the enclosed literature closely to prevent operating and maintenance problems.

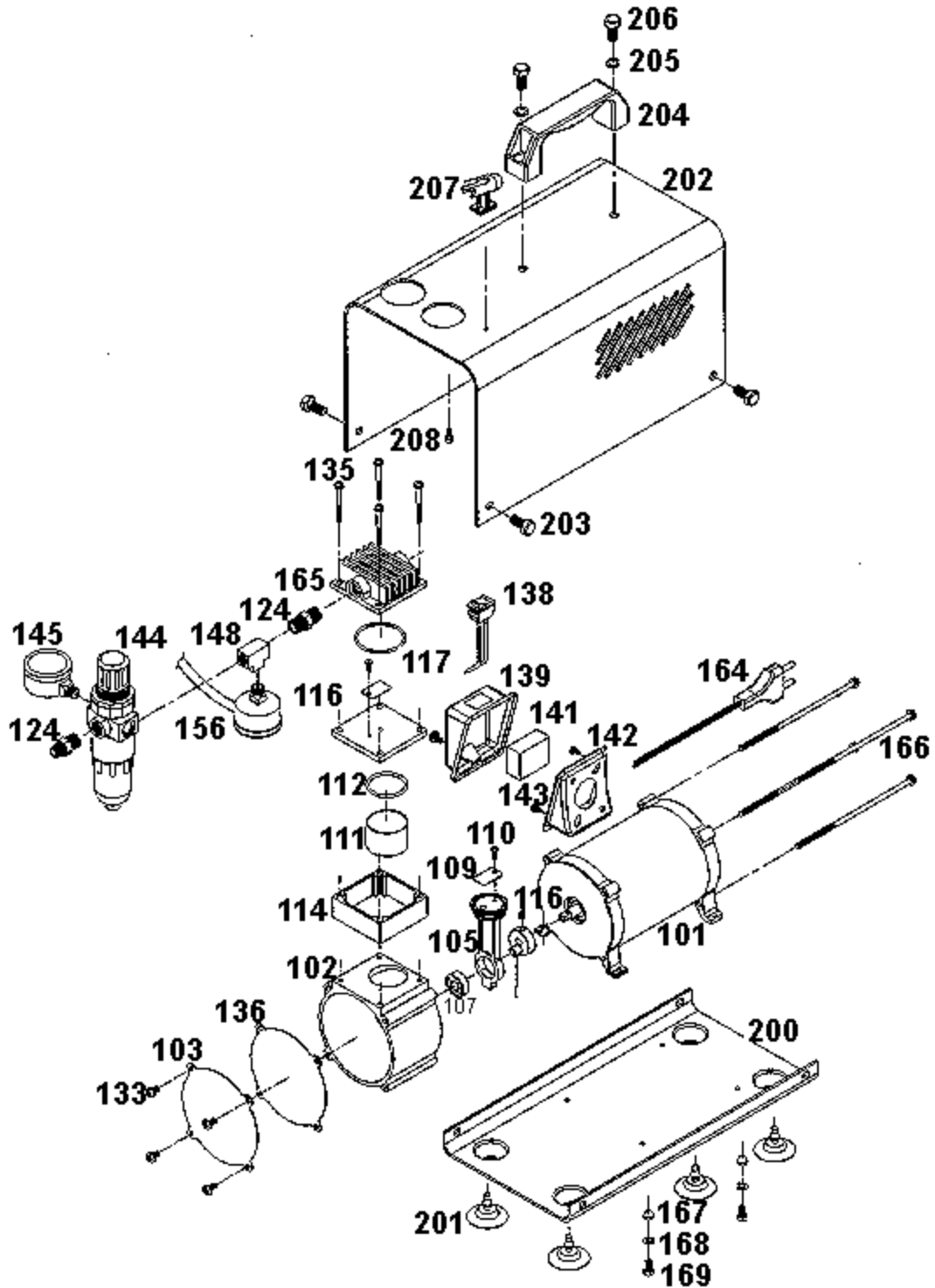


WARNING: TO PREVENT FIRE OR SHOCK HAZARD, DO NOT EXPOSE THIS EQUIPMENT TO RAIN OR MOISTURE..

## **C. Operating Instructions**

1. Connect the equipment for your application to the outgoing ¼" male fitting at the front of the cylinder head. To keep the connecting fitting from leaking air you should always apply Teflon Tape to the thread of the fitting.
2. When the compressor gets hot from constantly producing compressed air, it automatically shuts off. After waiting for about 20 minutes to cool down, it will start working again.

# EXPLODED VIEW AND PARTS LIST FS-MA-1000C



101	Motor	143	Bolt
102	Housing, Front	144	Filter/Regulator
103	Cover, Front	145	Gauge (Line-pressure)
105	Piston – Rod	148	3-Way Connector
106	Ball Bearing	156	Pressure Switch
107	Crankshaft	164	Electric Cable
108	Bolt	165	Cylinder Head with cooling fins
109	Inlet and Exhaust Plate	166	Bolt
110	Bolt	167	Nut
111	Cylinder	168	Washer
112	Compressing Ring	169	Bolt
114	Cylinder Base	200	Base Plate Mod. FS-MA-1000C
115	O-Ring	201	Rubber Foot
116	Valve Plate (set)	202	Housing Mod. FS-MA-1000C
117	O-Ring	203	Bolt
124	Fitting M1/4" – F1/8"	204	Handle
133	Bolt	205	Washer
136	Gasket	206	Bolt
138	On/Off Switch	207	Airbrush Holder
139	Housing for Capacitor and on/off Switch	208	Bolt
140	Base Plate for Housing		
141	Capacitor		
142	Bolt		